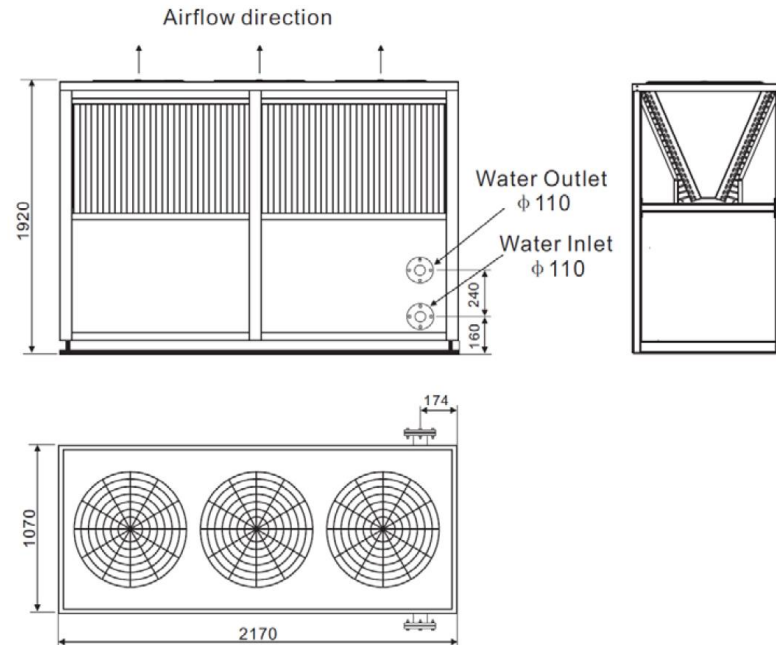


EvoHeat Pool Heat Pump Technical Specification Model: CS95-GEN2

ELECTRICAL INPUT			
Voltage/phase	380-415Volts /3 /50Hz		
Amps Per Phase @24° Air	34.9		
Max Amps Per Phase	39.7		
PERFORMANCE	HEATING	HEATING	COOLING
	WINTER	SUMMER	
air on conditions	15°CDB, 12°CWB 24°CDB, 19°CWB 35°CDB		
Entering water temp	26°C	26°C	30°C
Normal capacity	72.5kW	95kW	64kW
power input	16kW	17.3kw	18kW
COP	4.53	5.49	3.6
Noise level	61d(B)A at 1m 61d(B)A at 1m 61d(B)A at 1m		
TECHNICAL DATA			
	Compressor	Fan	
Make	SANYO/COPELAND	KOMBO	
Type	Scroll	axial	
Number per unit	4	3	
Voltage/phase	380-415Volts /3 /50Hz 380-415Volts /3 /50Hz		
Pole/RPM	4	830(Each)	
Air Flow	N/A	19500m3/hr total	
HEAT EXCHANGER(water side)			
Type of water tube		Titanium	
Design		Shell / Tube	
Flow Rate		483L/min	
By Pass(optional)		N/A	
Max Outlet water temp		40°C	
Design Pressure Drop		16kPa	
Max.Operating Pres.		800kPa	
GENERAL INFORMATION			
Connection Type	DN110 flange		
Drain	32mm collection		
Defrost	Reverse Cycle De-Ice and Thermotec Element		
Cabinet Construction	304 Stainless Chassis and Cabinet		
Approx.shipping weight	632kg		
Size L*W*H mm	2170x1070x1920		

Available Upgrades

316 Stainless Chassis and Cabinet
 High Static Fans
 BMS Interface Control Systems
 Blygold Evaporator Coating



Inclusions

Two Defrost Systems
 EEV2 Refrigeration Control
 V Evaporator
 Ripple Fin Heat Exchanger
 Goldtech Hydrophilic Fin Coating

High Flow/Low Pressure Drop - Titanium Heat Exchangers
 Direct Connect Ready
 Tariff+ Timer Control
 OFF -PEAK Tariff Optimizer
 2 Speed Fans

CS95

Water inlet: 26°C						
Ambient Temp(°C)	-7	2	7	15	24	30
Heating Capacity(KW)	36.3	48.7	56.0	72.5	95.0	105.0
COP	2.54	3.20	4.09	4.53	5.49	6.05

