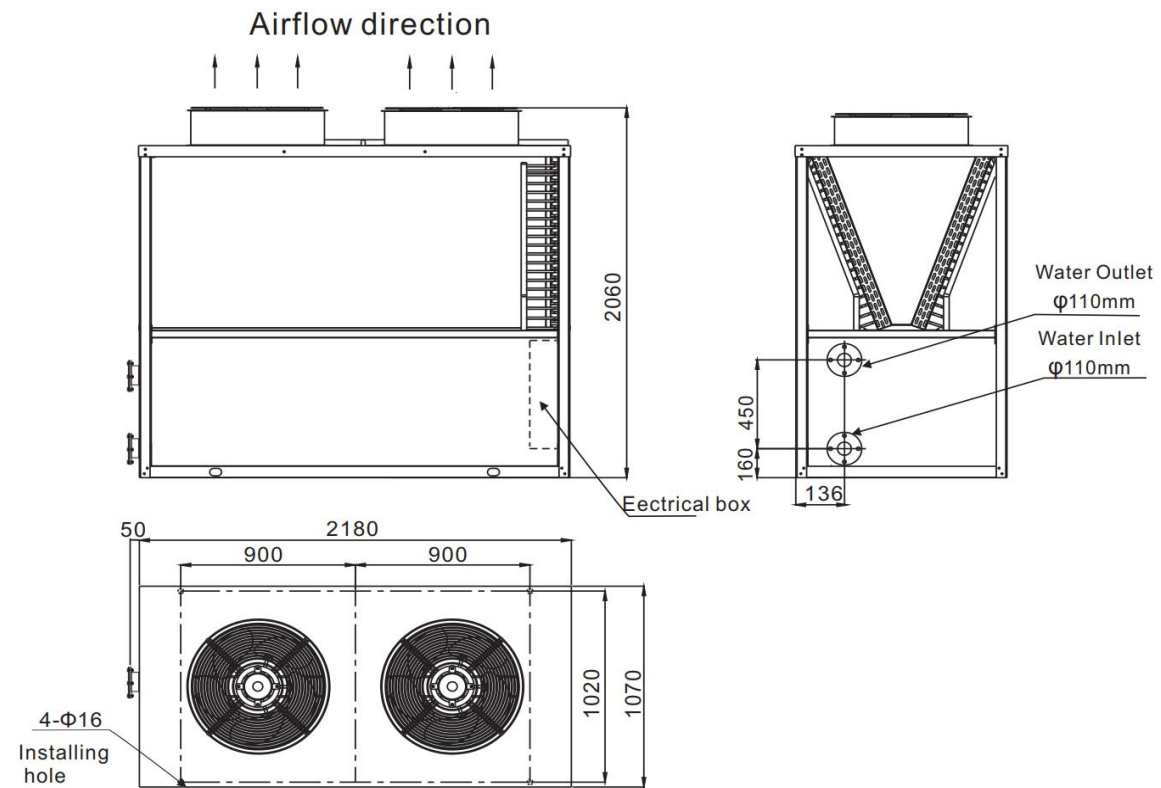


EvoHeat Pool Heat Pump Technical Specification Model: CS200-GEN2

ELECTRICAL INPUT			
Voltage/phase	380-415Volts /3 /50Hz		
Amps Per Phase @ 24° Air	70.8		
Max Amps Per Phase	80.1		
PERFORMANCE	HEATING	HEATING	COOLING
air on conditions	15°CDB, 12°CWB	24°CDB, 19°CWB	35°CDB
Entering water temp	26°C	26°C	30°C
Normal capacity	160kW	190kW	119kW
power input	30.8kW	32.8kW	35kW
COP	5.19	5.79	3.4
Noise level	67 d(B)A at 1m	67 d(B)A at 1m	67 d(B)A at 1m
TECHNICAL DATA			
	Compressor	Fan	
Make	COPELAND/SANYO	KOMBO	
Type	Scroll	axial	
Number per unit	4	2	
FLA(full load Amp)	14 Amps (each)	1.35Amps(Each)	
Voltage/phase	380-415Volts /3 /50Hz		
Pole/RPM	2	920	
Air Flow	N/A	32000m3/hr total	
HEAT EXCHANGER(water side)			
Type of water tube		Titanium	
Design		Shell/Tube	
Flow Rate		1000L/min	
By Pass(optional)		N/A	
Max Outlet water temp		40°C	
Design Pressure Drop		21kPa	
Max.Operating Pres.		800kPa	
GENERAL INFORMATION			
Connection Type	DN110 flange		
Drain	32mm collection		
Defrost System/s	Reverse Cycle De-Ice & Thermotec Element		
Cabinet Construction	304 Stainless Chassis and Cabinet		
Approx.shipping weight	908kg		
Size L*W*H	2180mm*1070mm*2060mm		

Available Upgrades

- 316 Stainless Chassis and Cabinet
- High Static Fans
- BMS Interface Control Systems
- Blygold Evaporator Coating

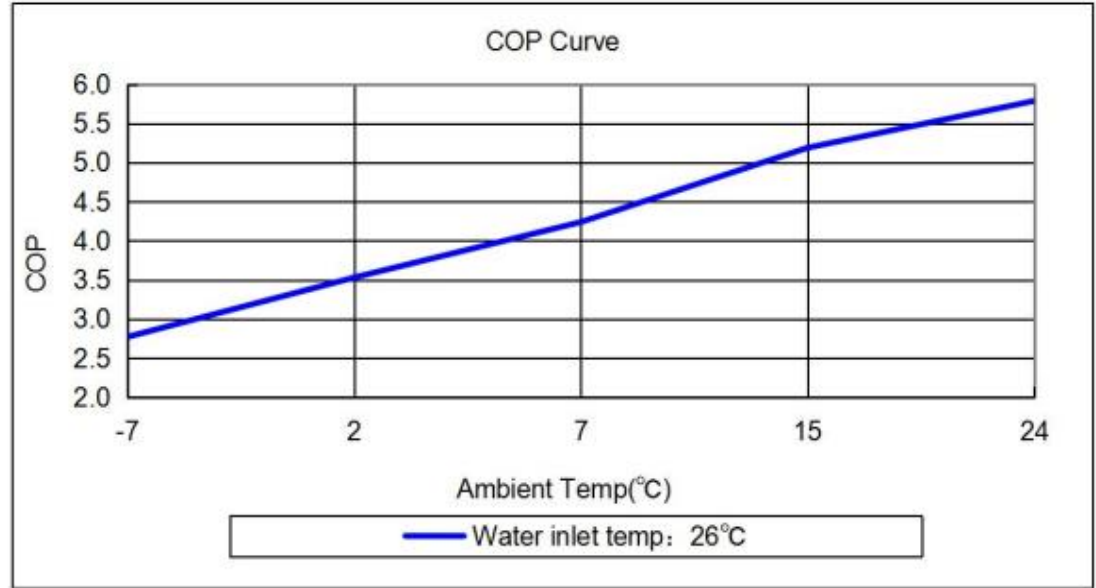
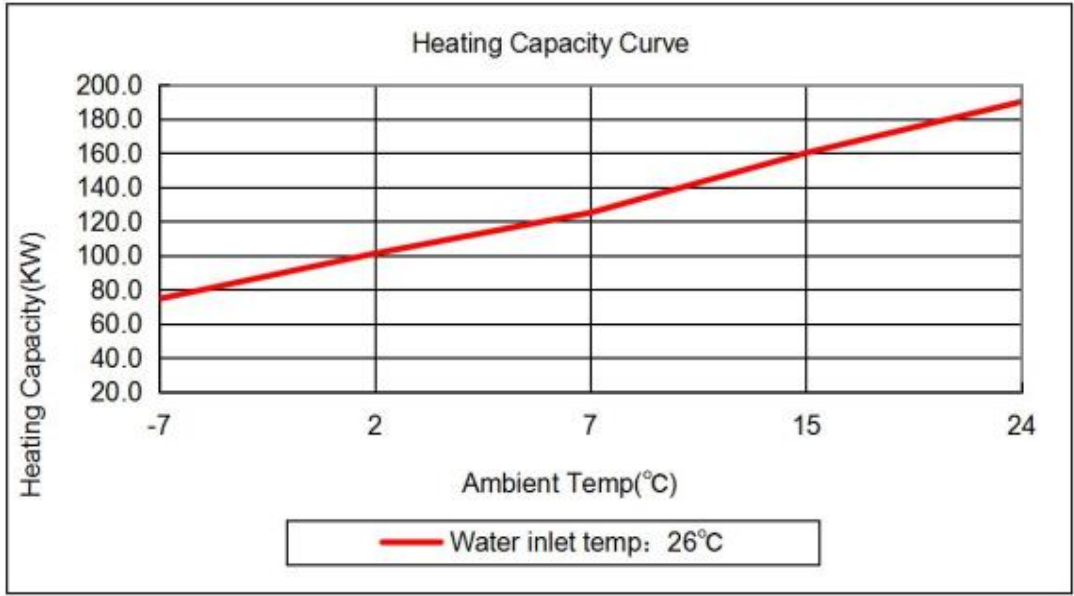


Inclusions

- Two Defrost Systems
- EEV2 Refrigeration Control
- V Evaporator
- Ripple Fin Heat Exchanger
- Goldtech Hydrophilic Fin Coating
- High Flow/Low Pressure Drop - Titanium Heat Exchangers
- Direct Connect Ready
- Tariff+ Timer Control
- OFF -PEAK Tariff Optimizer
- 2 Speed Fans

CS200

Water inlet: 26°C					
Ambient Temp(°C)	-7	2	7	15	24
Heating Capacity(KW)	74.6	101.1	125.0	160.0	190.0
COP	2.77	3.53	4.24	5.19	5.79



: