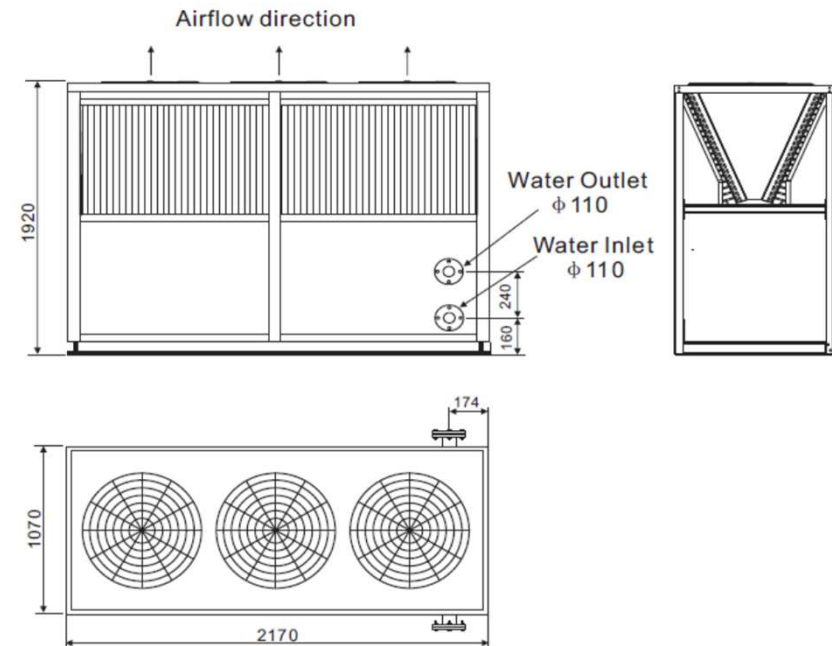


## EVO POOL HEAT PUMP SPECIFICATION MODEL CS95-GEN2

ELECTRICAL INPUT			
Voltage/phase	380-415Volts /3 /50Hz		
Amps Per Phase	28.8		
Min. Circuit Size	40 Amps		
PERFORMANCE			
	HEATING		COOLING
	WINTER	SUMMER	
air on conditions	15 °CDB, 12°CWB	24 °CDB, 19°CWB	35 °CDB
Entering water temp	26°C	26°C	30°C
Normal capacity	80kW	95kW	64kW
power input	15.4kW	16.1kw	18kW
COP	5.19	5.9	3.6
Noise level	61d(B)A at 1m	61d(B)A at 1m	61d(B)A at 1m
TECHNICAL DATA			
	Compressor	Fan	
Make	SANYO/COPELAND	KOMBO	
Type	Scroll	axial	
Number per unit	4	3	
Voltage/phase	380-415Volts /3 /50Hz	380-415Volts /3 /50Hz	
Pole/RPM	4	830(Each)	
Air Flow	N/A	19500m3/hr total	
HEAT EXCHANGER(water side)			
Type of water tube		Titanium	
Design		Shell / Tube	
Flow Rate		483L/min	
By Pass(optional)		N/A	
Max Outlet water temp		40°C	
Design Pressure Drop		16kPa	
Max.Operating Pres.		800kPa	
GENERAL INFORMATION			
Pool Water	DN110		
Drain	20mm collection		
Defrost	Reverse Cycle De-Ice		
Cabinet Construction	1.2mm powdercoated steel		
Approx.shipping weight	602kg		
Size L*W*H mm	2180x1072x1900		

### Inclusions

EEV2 Refrigeration Control	High Flow/Low PD Titanium Exchangers
2 Speen Fans	Direct Connect ready
Dual Defrost System	Tariff+ Timer Control
V Evaporator	Ripple Fin Heat Exchanger



### Available Options

BMS Interface Control Systems	High Static Fans to suit client specification
304 Stainless Chassis and Cabinet	Variable speed fan controllers
316 Stainless Chassis and Cabinet	Blygold Evaporator Coating

inlet water temp. :27°C

Ambient temp. (°C)	2	7	15	24
Heating capacity(KW)	47.30	62.00	80.00	95.00
COP	3.24	4.13	5.19	5.90

